



Compact & Stylish
Witness with
**Powerful
100X Zoom**

10X Day & Night PTZ Dome Camera

SPD-1000

- 10X optical zoom(f3.8~38mm) & 10X digital zoom
- High sensitivity of min. illumination 0.7Lux@F1.8
- High quality image with 520TV lines resolution and SSNR technology
- 24/7 surveillance with Day & Night of IR Cut Filter Removal
- 64 Presets, Motion Detection, Privacy Zone Masking
- Digital Flip, OSD, RS-485 Remote control, Sens-up (128X)

Preliminary

SAMSUNG TECHWIN

SAMSUNG

10X Day & Night PTZ Dome Camera

SPD-1000

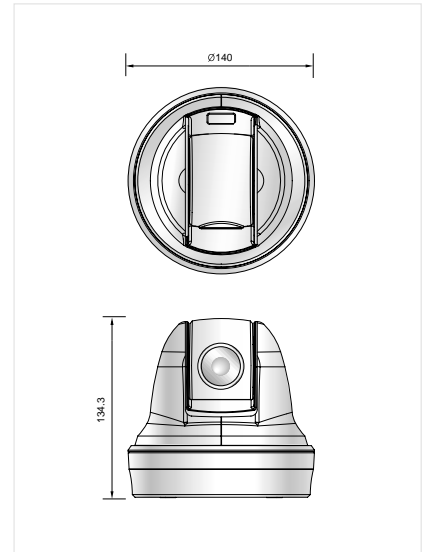


Specifications

Mode	SPD-1000N	SPD-1000P
Power Source	12V DC	
Power Consumption	6Watts in standing by 8Watts in operating	
Image Pick-up Device	1/4" Interline Transfer CCD	
Total Pixels	811(H) x 508(V)	795(H) x 596(V)
Effective Pixels	768(H) x 494(V)	752(H) x 582(V)
Scanning System	2 : 1 Interlace, 625 Lines / 60 Fields / 30 Frames	2 : 1 Interlace, 625 Lines / 50 Fields / 25 Frames
Synchronization	External selectable (AC line lock)	
Scanning Frequency	15.734KHz(H) / 59.94Hz(V)	15.625KHz(H) / 50.00Hz(V)
Resolution	Color : 520TV lines (Min.) / B/W : 570TV lines (Min.)	
Video Output	1.0p-p / 75Ω	
S / N Ratio	More than 50dB (AGC off)	
Min. Illumination	0.7Lux@F1.8 (Normal color mode) 0.02Lux@F1.8 (B/W mode) 0.005Lux@F1.8 (Sens-up mode)	
Day & Night	Auto / Color / B/W (ICR filter change)	
Electronic Shutter Speed	Auto / Manual selectable (1/60 ~ 1/120,000)	Auto / Manual selectable (1/50 ~ 1/120,000)
Slow-shutter	On (2X ~ 128X fields) / Off selectable	
White Balance	ATW / AWC / Manual selectable	
Gain Control	Auto / Manual selectable	
OSD	On / Off selectable	
DIS(Digital Imager Stabilizer)	On / Off selectable	
Digital Zoom	2X ~ 10X (Total 100X zoom)	
Zoom Ratio	f3.8 ~ 38.0mm (10X)	
Multiple Protocols	PELCO-D, Panasonic, Vicon, Samsung Electronics	
Serial Communication	RS-485, RS-422, RS-232C	
Min. Focus Distance	1.5m	
Max. Zoom Speed	1.67sec	1.75sec
Pan Rotation Angle	350° Endless	
Pan Speed	100°/sec (64 step)	
Tilt Rotation Angle	-2° to 192°	
Tilt Speed	240°/sec (64 step)	
Privacy Function	On / Off Selectable (4 Programmable zone)	
Angle Field of View	H : 51.2°(Wide) to 5.58°(Tele) / V : 39.3°(Wide) to 4.27°(Tele)	
Preset	128 preset (Straight)	
Digital Flip	On / Off selectable	
Operating	Temperature	-10°C ~ +50°C
	Humidity	20% ~ 75% RH
Dimensions	Ø140(W) x 134.3(H)mm	
Weight	0.8Kg	

Dimensions

Unit : mm



Controller (Option)



The Eco mark represents Samsung Techwin's will to create environment-friendly products, and indicates that the product satisfies the EU RoHS Directive.

Design and specifications are subject to change without notice.



SAMSUNG TECHWIN CO., LTD.
333-1, Sangdaewon 1-dong, Jungwon-gu,
Seongnam-si, Gyeonggi-do Korea 462-807
Tel : +82-31-730-8931-3 Fax : +82-31-730-8950
www.samsungipolis.com

SAMSUNG OPTO-ELECTRONICS UK, LTD.
Samsung House, 1000 Hillswood Drive,
Hillswood Business Park Chertsey, Surrey KT16 0PS
Tel : +44-1932-45-5308 Fax : +44-1932-45-5325

TIANJIN SAMSUNG OPTO-ELECTRONICS CO., LTD.
7 Pingchang Rd., Nankai Dist. Tianjin 300190, P.R. China
Tel : +86-22-2761-4724(33821) Fax : +86-22-2761-6514

■ DISTRIBUTED BY



I.D-0703